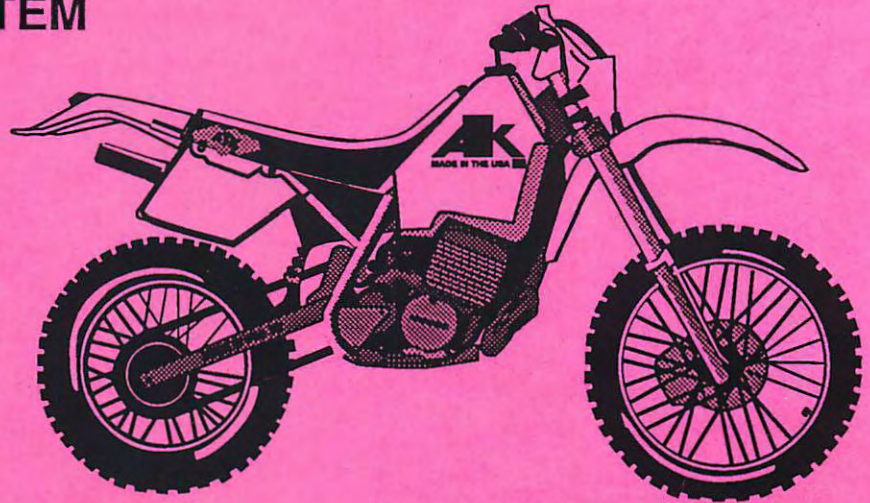


# ATK

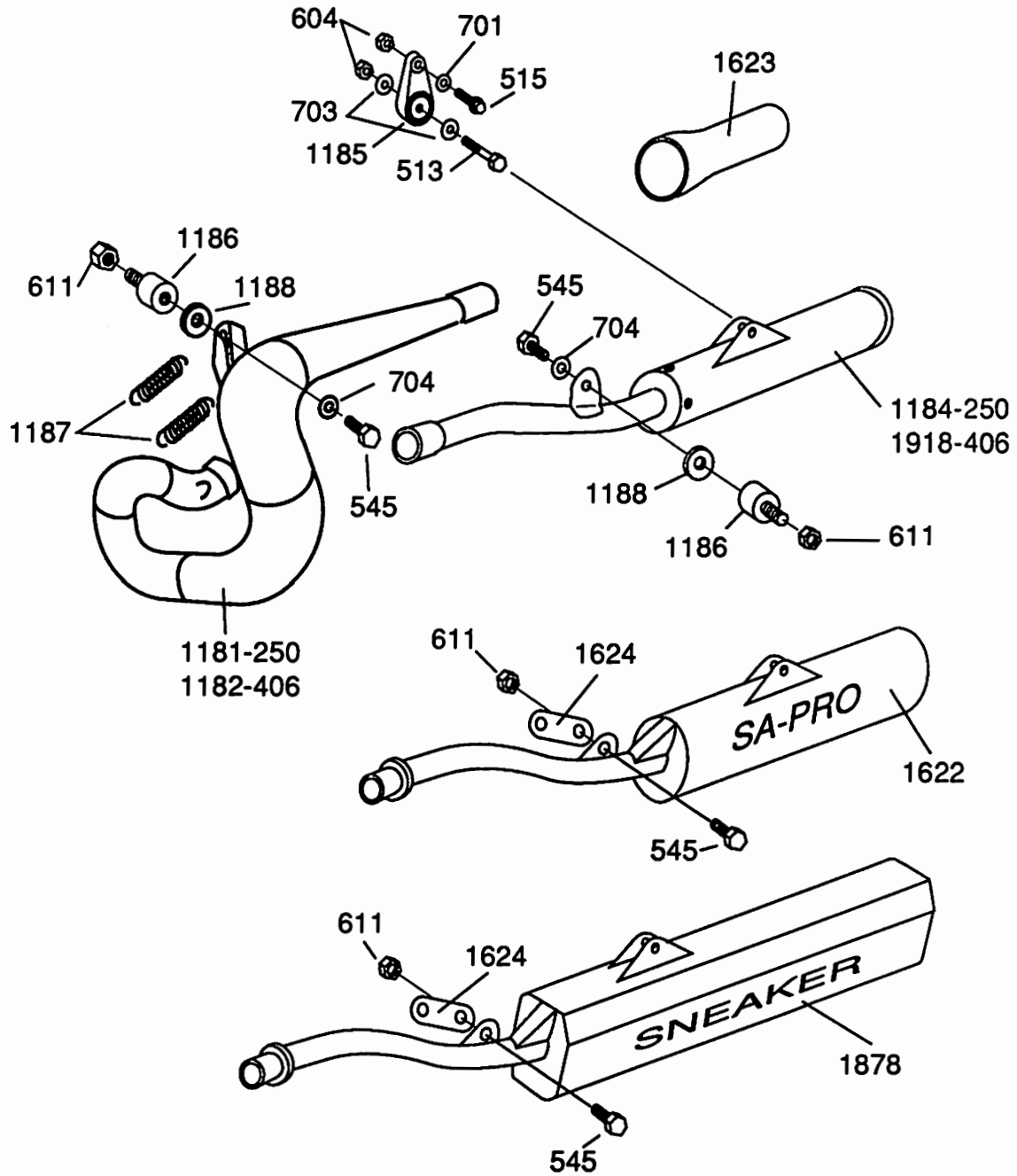
## 1991 2-STROKE PARTS LIST

1. EXHAUST SYSTEM
3. FRAME
5. SWINGARM
7. PLASTIC
9. REAR BRAKE
11. FRONT WHEEL
13. REAR WHEEL
15. FRONT BRAKE
17. FORK
19. SHOCK
21. HANDLEBAR CONTROLS
22. CARBURETOR
23. ACCESSORIES
24. BAJA BRAKE KIT



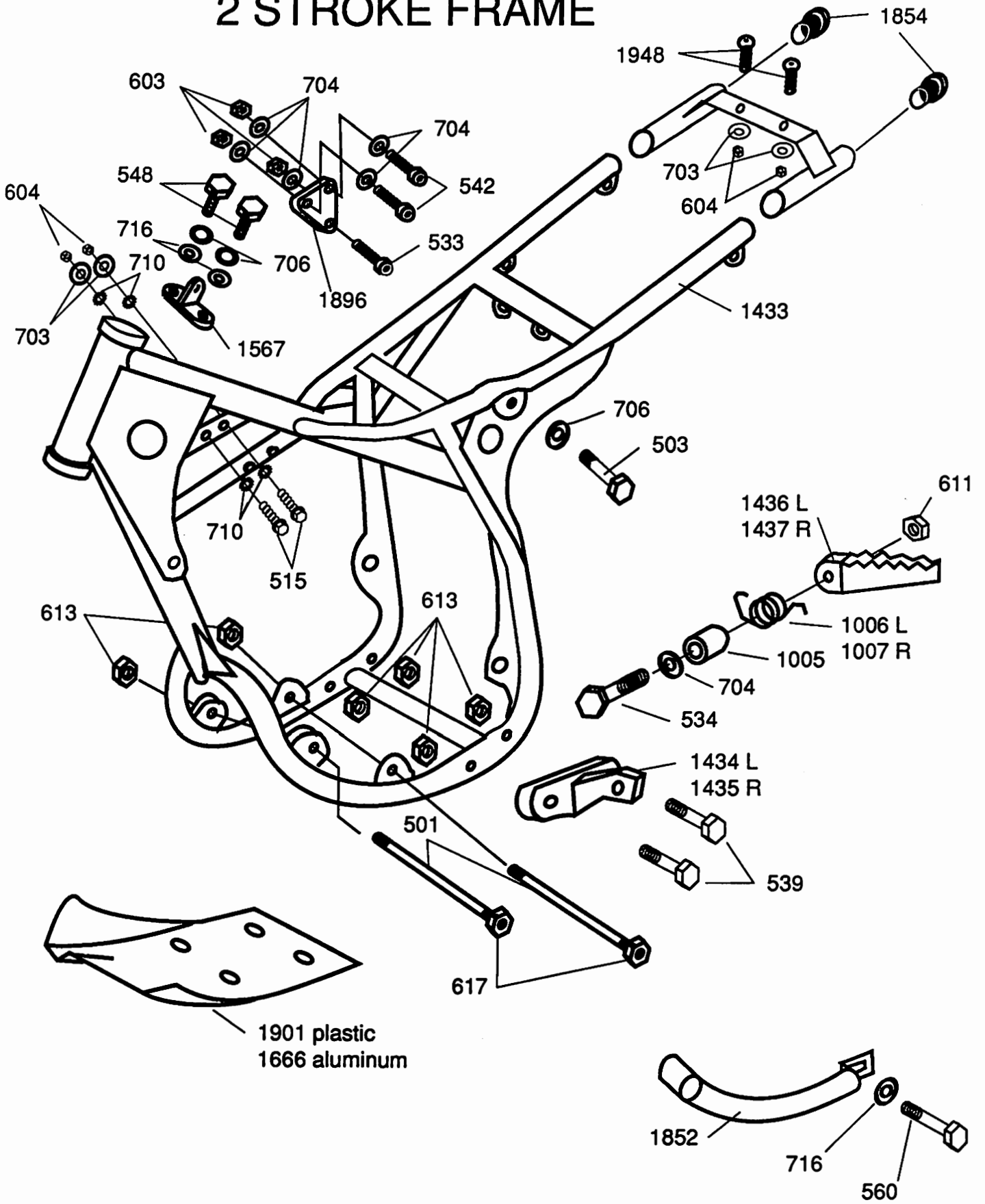
513	Hex Bolt M6 x 30	1	
515	Bolt M6 x 17	1	
545	Hex Bolt M8 x 16	2	
604	Locknut M6	2	
611	Locknut M8	2	
701	Washer M6 x 11	1	
703	Washer M6 x 18	2	
704	Washer M8	2	
1181	Exhaust Pipe-250	1	
1182	Exhaust Pipe-406	1	
1184	Muffler-250	1	
1185	Bracket- Muffler	1	
1186	RubberMount	2	
1187	Spring-Pipe	2	
1188	Fiber Washer	2	
1622	Answer SA-Pro		
1623	Answer Add-On	1	CC
1624	Bracket-Spark Arr.	1	
1878	Answer Sneaker		
1918	Muffler-406	1	

# EXHAUST ASSEMBLY 2 STROKE



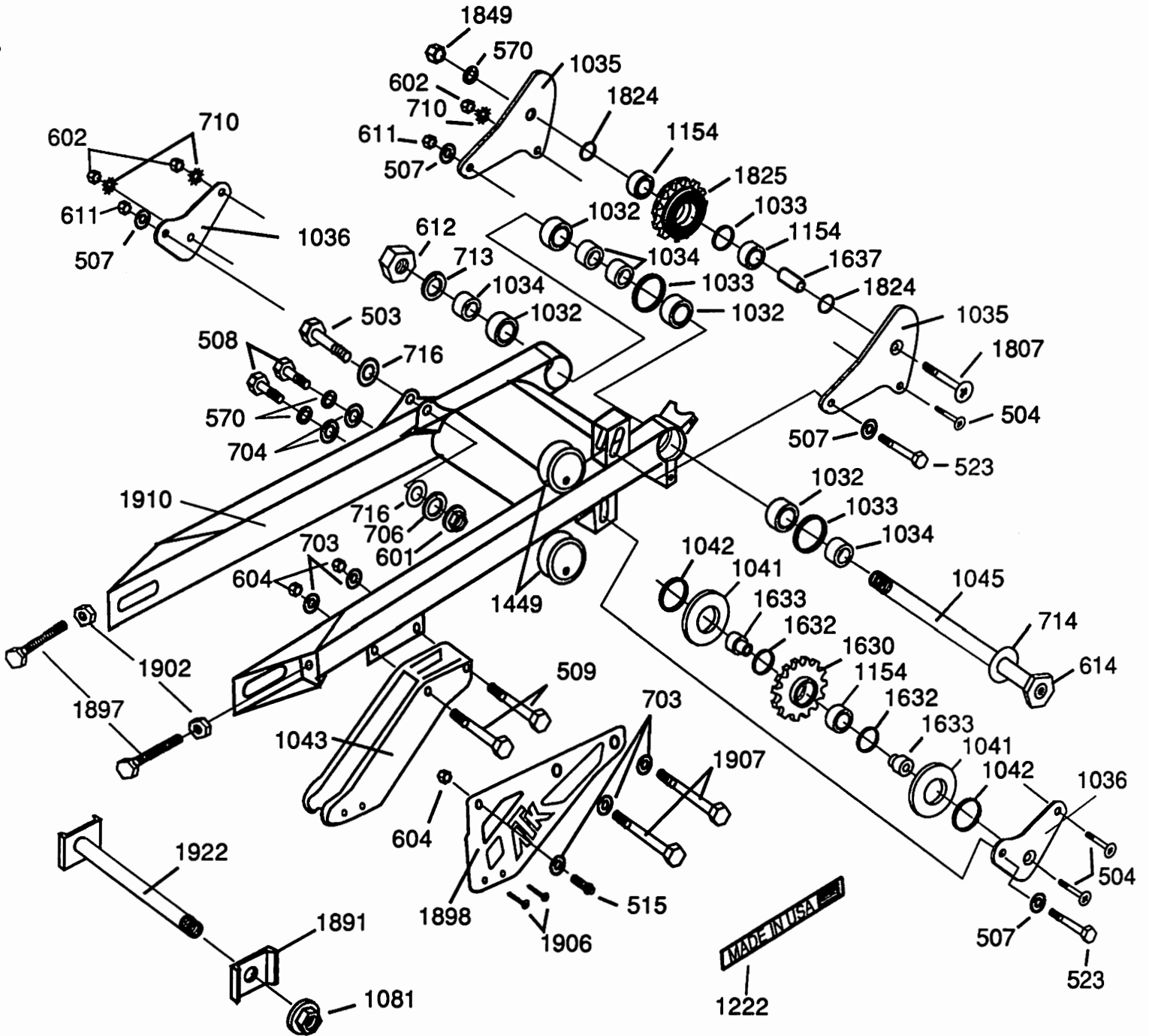
501	Motormount bolt	2	
503	Shock bolt	2	
515	Bolt M6 x 17	23	
533	Allen Bolt M8 x 30	1	
534	Bolt M8 x 50	2	
539	Bolt M10 x 1.25 x 60	4	
542	Allen Bolt M8 x 55	3	
548	Hex Bolt M10 x 16	2	CC
560	Bolt M10 x 1.25 x 70	1	
603	Flange Nut M8	9	
604	Locknut M6	23	
611	Locknut M8	2	
613	Locknut M10 x 1.25 x 17	6	
617	Jam Nut M10 x 1.25 x 14	2	
703	Washer M6 x 18	4	
704	Washer M8	7	
706	Lock Washer M10	3	
710	Star Washer M6	4	
716	Washer M10	2	
1005	Bushing	2	
1006	Peg Return Spring-L	1	
1007	Peg Return Spring-R	1	
1433	Frame 2 stroke	1	
1434	Peg Support-L	1	
1435	Peg Support-R	1	
1436	Peg-L	1	
1437	Peg-R	1	
1567	Head Stay Mount-406	1	
1666	Aluminum Skidplate	1	
1852	Case Guard-406	1	CC
1854	EndCap, Plastic	2	
1896	Head Stay-406	1	
1901	Plastic Skidplate	1	CC
1948	Bolt M6 x 17 Buttonhead	2	

# 2 STROKE FRAME



503	Shock bolt	1	
504	Bolt Countersink 1/4 x 1.5	3	
507	M8 Wave Washer	4	
508	Hex Bolt M8 x 25	2	
509	Hex Bolt M6 x 45	2	
515	Bolt M6 x 17	1	
523	Hex Bolt M8 x 40	2	
570	M8 Lock Washer	3	
601	Flange Nut M10	1	
602	Nut 1/4 x 28	3	
604	Locknut M6	3	
611	Locknut M8	2	
612	Nut M16	1	
614	Nut/Half Thick M16	1	
703	Washer M6 x 18	5	
704	Washer M8	2	
706	Lock Washer M10	1	
710	Star Washer M6	3	
713	Lock Washer M16	1	
714	Wave Washer 5/8	1	
716	Washer M10	1	
1032	Swingarm Brg	4	
1033	Retaining Ring	3	
1034	Bushing	4	
1035	CTE Plate Upper	2	
1036	CTE Plate Lower	2	
1041	Nylon Ring	2	
1042	Retaining Ring	2	
1043	Chain Guide	1	
1045	Axle Swingarm	1	
1081	Nut Rear Axle	1	
1154	CTE Bearing	3	
1222	Swingarm Decal	2	
1449	Eccentric Adjusters	2	
1630	Lower CTE Sprocket	1	
1632	Retaining Ring	2	
1633	Lower CTE Bushing	2	
1637	Upper CTE Bushing	1	
1807	5/16 Countersunk Phillips	1	
1824	M16 washer	2	
1825	Upper CTE Sprocket	1	
1849	Nut 5/16	1	
1891	Rear Axle Plate	2	
1897	M8 x 50 Fully Thd.	2	
1898	Chain Guide Plate	1	CC
1902	Nut M8	2	
1906	Screw 1/8	2	CC
1907	Hex Bolt M6 x 55	2	CC
1910	Swingarm	1	
1922	Rear Axle	1	

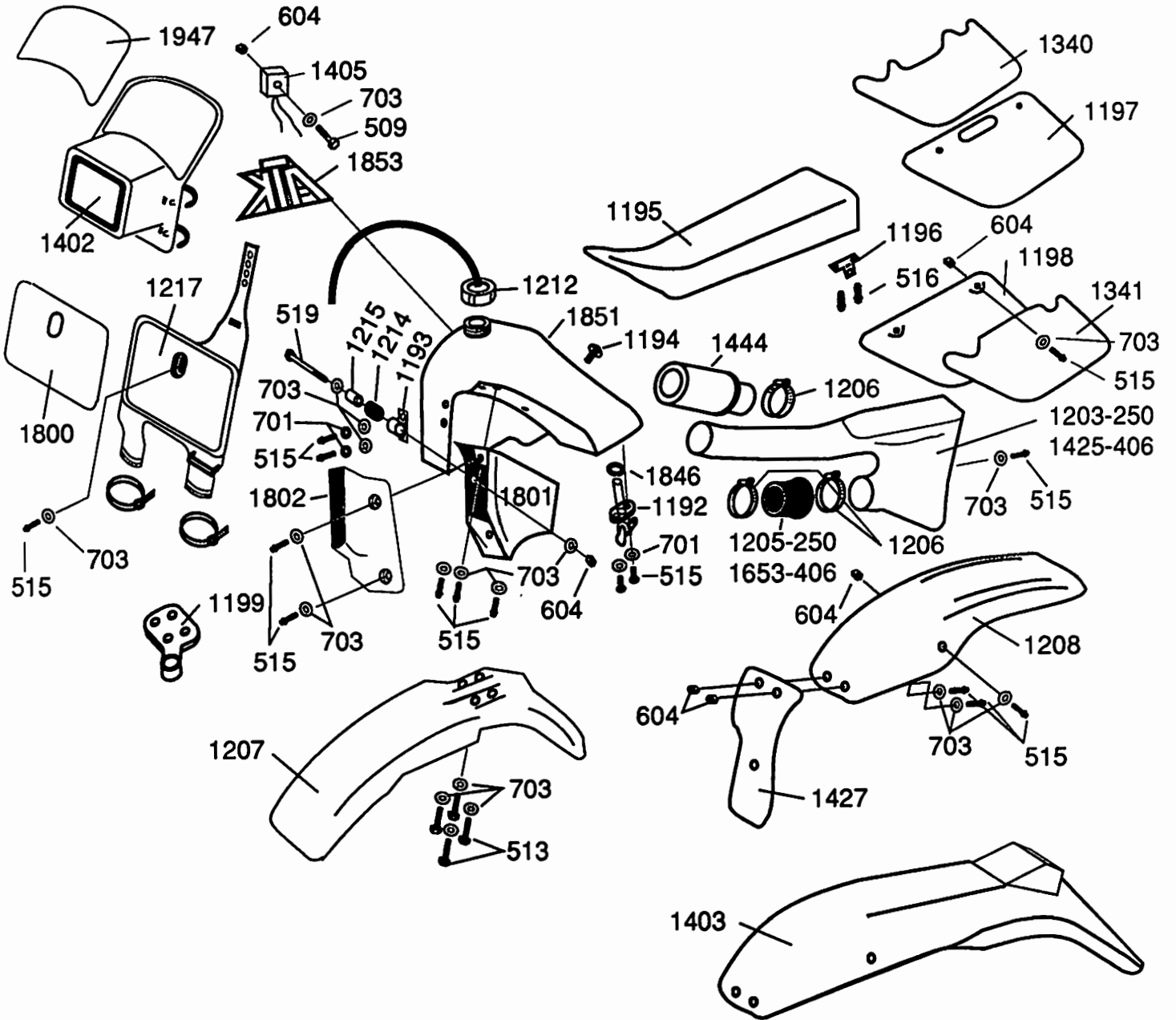
# SWINGARM ASSEMBLY



513	Hex Bolt M6 x 30	4	
515	Bolt M6 x 17	23	
516	Bolt Seat Bracket	4	
519	Hex Bolt M6 x 80	1	
604	Locknut M6	9	
701	Washer M6 x 11	4	
703	Washer M6 x 18	21	
1192	Petcock	1	
1193	Gastank Mount Bracket	1	
1194	Seat Mount Bolt	1	
1195	Seat	1	
1196	Seat Bracket	2	
1197	Side Panel Right	1	
1198	Side Panel Left	1	
1199	Brakeline Cable Guide	1	CC
1203	Snorkel 250	1	
1205	Connecting Hose 250	1	
1206	Hose Clamp	3	
1207	Front Fender	1	
1208	Rear Fender MX	1	
1211	Frnt. Nmbr. Plt. Upside Dn.	1	
1212	Gascap	1	
1214	Rubbermount	1	
1215	Bushing	1	
1340	Nmbr Plt. Backing Right	1	
1341	Nmbr Plt. Backing Left	1	
1402	Elba Acerbis Headlight	1	CC
1403	CC Rear Fender	1	CC
1405	Voltage Regulator (CC)	1	CC
1425	Snorkel 406	1	
1427	Mudflap	1	
1444	Uni Filter 2 Stk	1	
1653	Connecting Hose 406	1	
1800	Front Nmbr Plt Decal	1	
1801	Airbox 2 stk	1	
1802	Airbox Cover 2 stk	1	
1846	O-Ring Petcock	1	
1851	3.7 Gal CC Tank	1	
1853	Tank Decal Set	1	
1947	Headlight Decal	1	CC

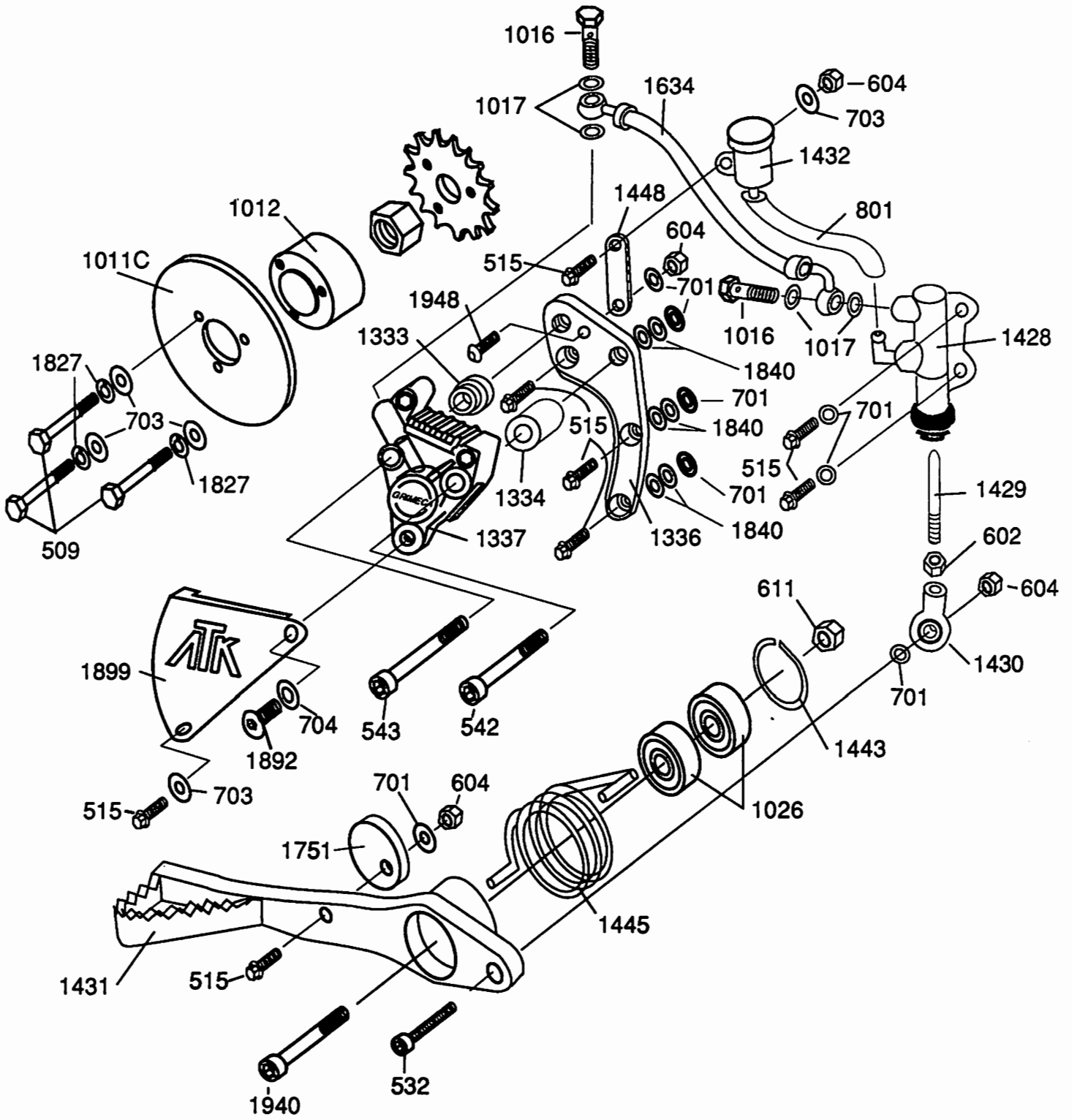


# 2 STROKE PLASTIC



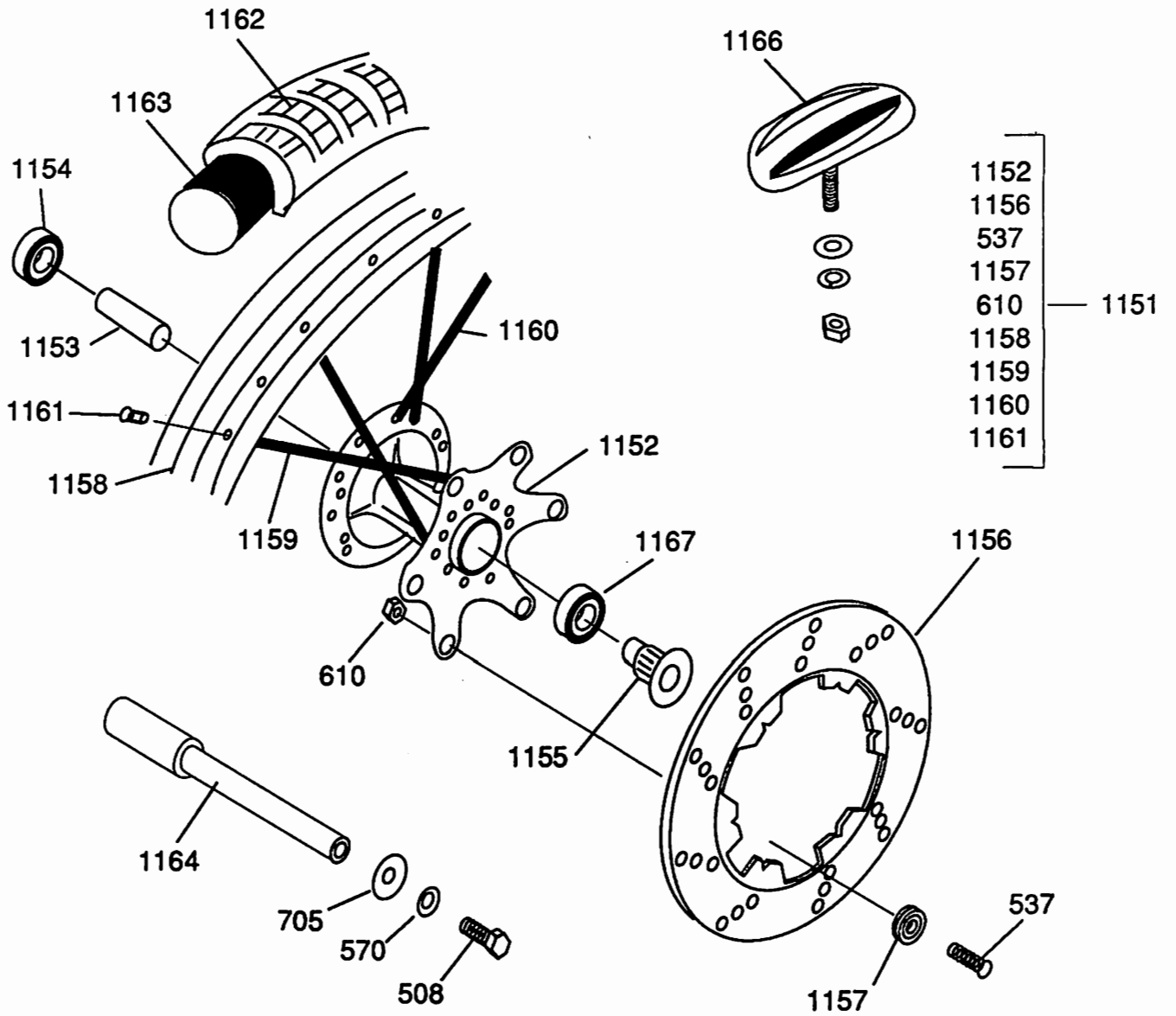
509	Hex Bolt M6 x 45	3
515	Bolt M6 x 17	23
532	ALLEN BOLT M6 x 25	1
541	Hex Bolt M6 x 80	1
542	ALLEN BOLT M8 x 55	1
543	ALLEN BOLT M8 x 60	1
602	Nut 1/4 x 28	1
604	Locknut M6	4
611	Locknut M8	1
701	Washer M6 x 11	9
703	Washer M6 x 18	5
704	Washer M8	1
801	Reservoir Line Brake	1
1011C	Cast Iron Disc	1
1012	Disc Spacer	1
1016	Banjo Bolt	2
1017	Banjo Gasket	4
1026	Brake Pedal Bearing	2
1333	Caliper Spacer	1
1334	Caliper Spacer	1
1336	Caliper Mount	1
1337	Rear Brake Caliper	1
1428	Rear Brake Master Cylinder	1
1429	Pushrod	1
1430	Heim Joint	1
1431	Rear Brake Pedal	1
1432	Rear Brake Reservoir	1
1443	Snap Ring	1
1445	Return Spring	1
1448	Bracket	1
1634	Rear Brakeline	1
1635	Spacer 250	3
1827	Lockwasher M6	3
1840	Wave Washers M6 250 only	6
1892	Discguard Bolt	1
1899	Discguard	1
1948	Bolt M6 x 17 Button Head	1
2021	Nylon Rear Brake Eccentric	1

# REAR BRAKE 2 STROKE



508	Hex Bolt M8 x 25	1
537	Bolt M5/Cs x 25 Allen	6
570	Lock Washer M8	1
610	Flange Nut M5	6
705	Washer M8 x 18	1
1151	Wheel Assembly	1
1152	Hub	1
1153	Bearing Spacer	1
1154	Bearing 6202	1
1155	Spacer	1
1156	Front Disc	1
1157	Spacer / Disc	6
1158	Rim - Rear	1
1159	Spoke	
1160	Spoke	
1161	Nipple	
1162	Tire Front	1
1163	Tube Front	1
1164	Axle Front	1
1166	Rimlock	1
1167	Bearing 6003	1

# FRONT WHEEL ASSEMBLY



521	Sprocket Bolt	6
603	Flange Nut	6
1061	Wheel Assembly	1
1062	Hub Assembly	1
1063	Bearing Spacer	1
1064	Bearing	2
1065	Spacer LH	1
1066	Spacer RH	1
1067	LH Spoke	
1068	RH Spoke	
1069	Nipple	
1070	Rim	1
1073	Chain 520 O-Ring	1
1074	Masterlink-Chain	1
1075	Tube-Rear	1
1076	Rear Tire 110 x 18	1
1077	Rim Lock	2

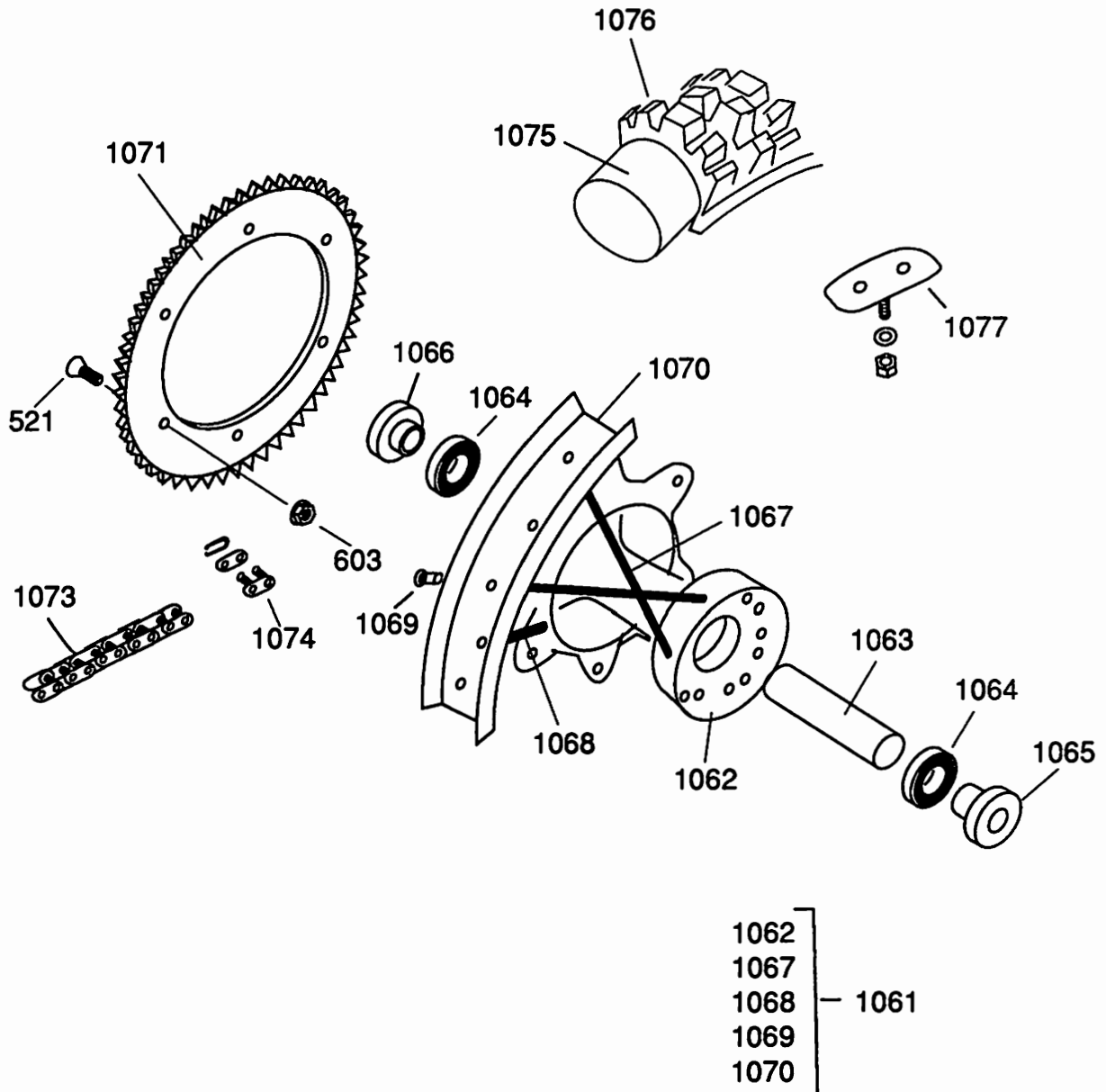
**Rear Sprockets:**

1861	44 T	(Stock on 406-6 speed)
1870	45 T	
1060	46 T	
1072	48 T	(Stock on 406 MX)
1071	50 T	(Stock on all 250's)
1049	52 T	

**Chain Information:**

<u>Gearing</u>	<u>Number of Links</u>
15-44	108
15-48	110
15-50	110

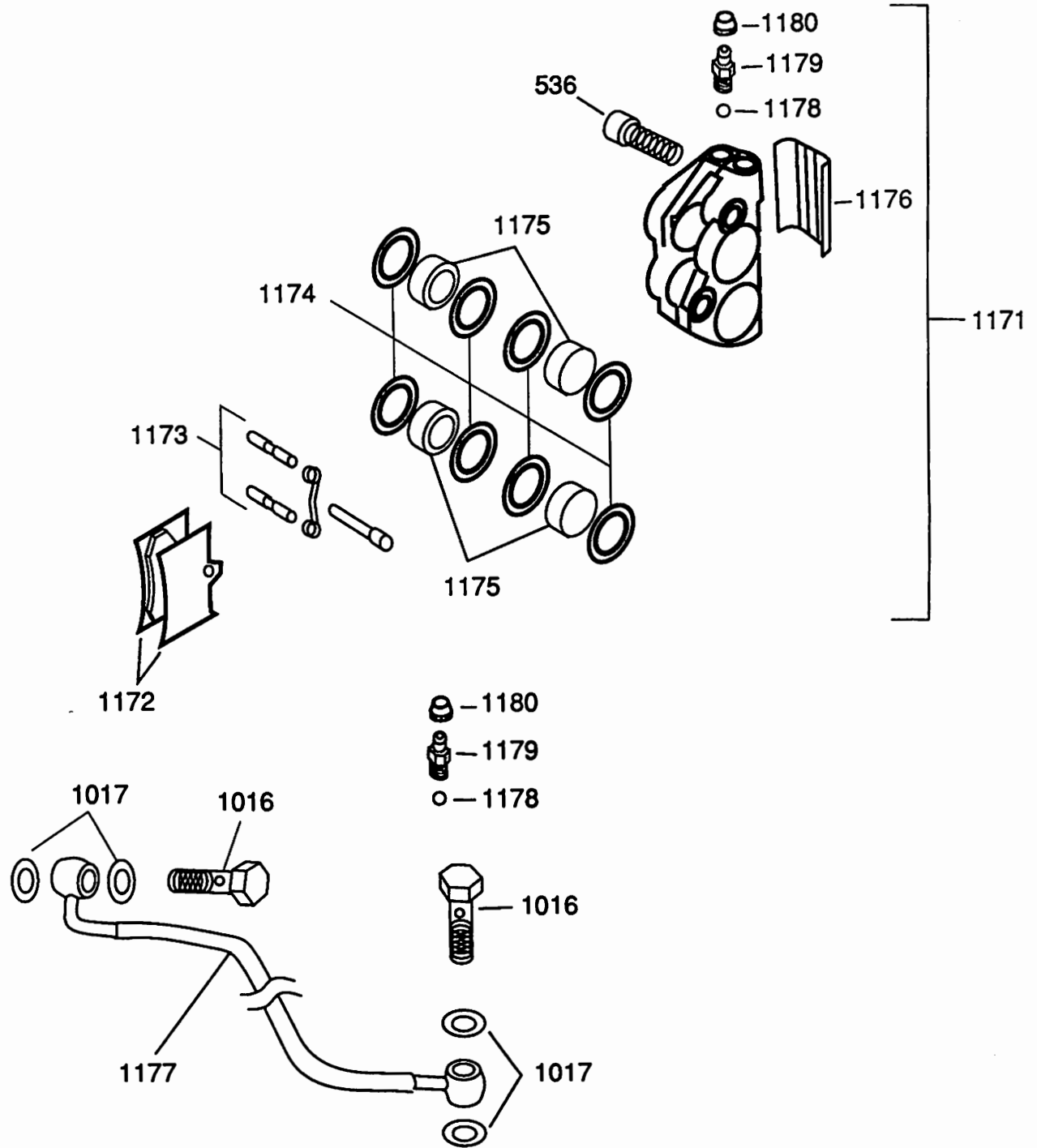
# REAR WHEEL ASSEMBLY



536	Allen Bolt M8 x 40	2
1016	Banjo Bolt	2
1017	Banjo Gasket	4
1171	Caliper Assembly	1
1172	Brake Pads	1
1173	Pad Holder Assembly	1
1174	Seal Assembly	1
1175	Piston	4
1176	Pad Cover	1
1177	Front Brake Line	1
1178	Check Ball	2
1179	Bleed Screw	2
1180	Cover	2

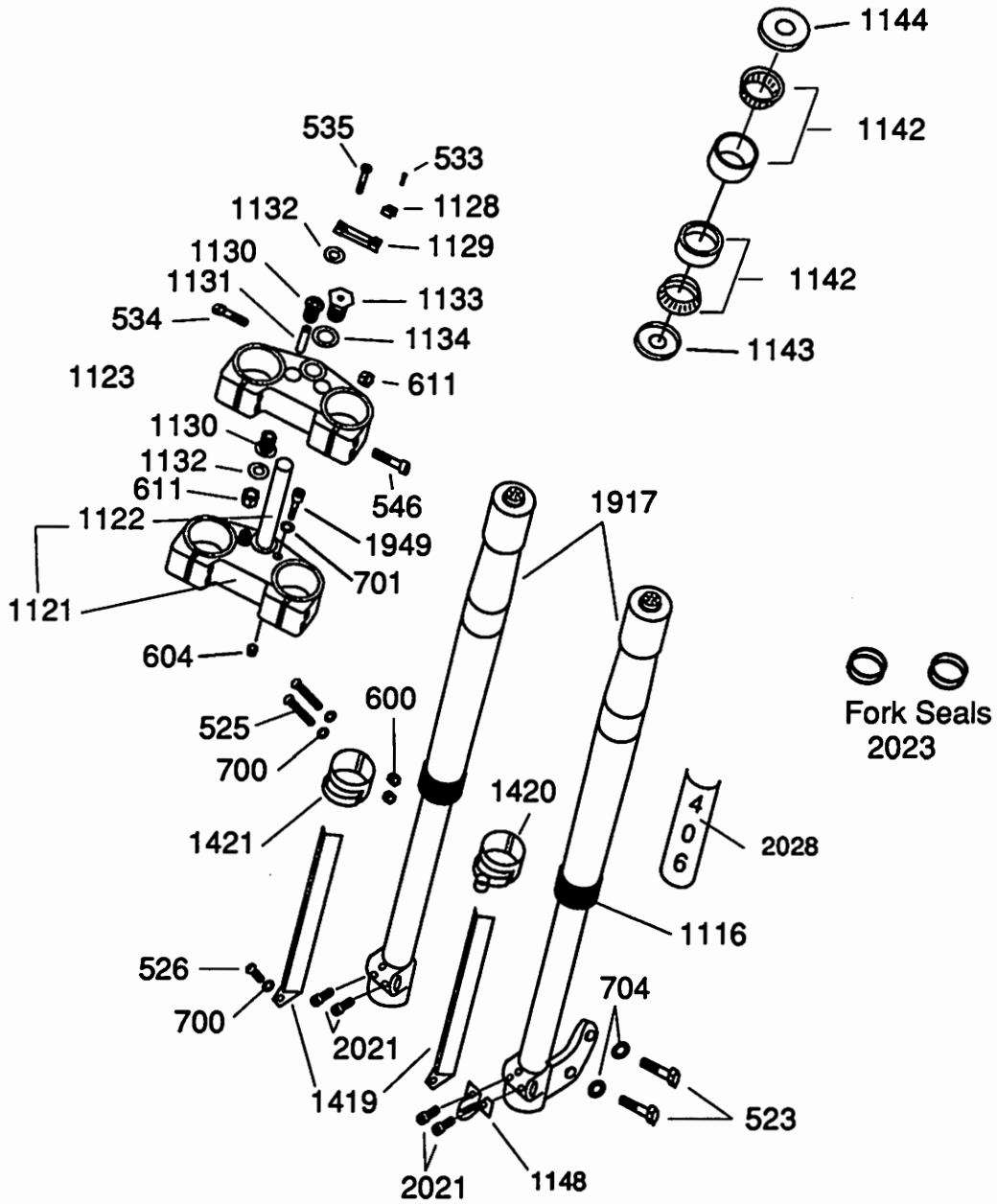


# FRONT CALIPER ASSEMBLY



523	Hex Bolt M8 x 40	2
525	Phillips Bolt M5 x 40	4
526	Phillips Bolt M5 x 8	2
533	Allen Bolt M8 x 30	4
534	Hex Bolt M8 x 50	1
535	Allen Bolt M10 x 65	2
546	Allen Bolt M8 x 35	8
600	Locknut M5	4
611	Locknut M8	3
700	Washer M5	6
704	Washer M8	2
1116	Wiper-Fork	2
1121	Bttm. Triple Clmp Assy.	1
1122	Stem	1
1123	Top Triple Clamp	1
1128	Top Bar Clamp	2
1129	Bottom Bar Clamp	1
1130	Rubber	4
1131	Sleeve	2
1132	Cup Washer	4
1133	Stem Bolt	1
1134	Washer	1
1142	Bearing/Race	2
1143	Seal Ring	1
1144	Seal Plate	1
1148	Brake Line Clamp	1
1419	Fork Protector	2
1420	Clamp Left	1
1421	Clamp Right	1
1917	Forks Multi-Adjuster	1
1949	Allen Bolt M6 x 18	2
2021	Front Axle Pinch Bolt M7	4
2023	Fork Seals	2
2027	Fork Sticker 250	2
2028	Fork Sticker 406	2

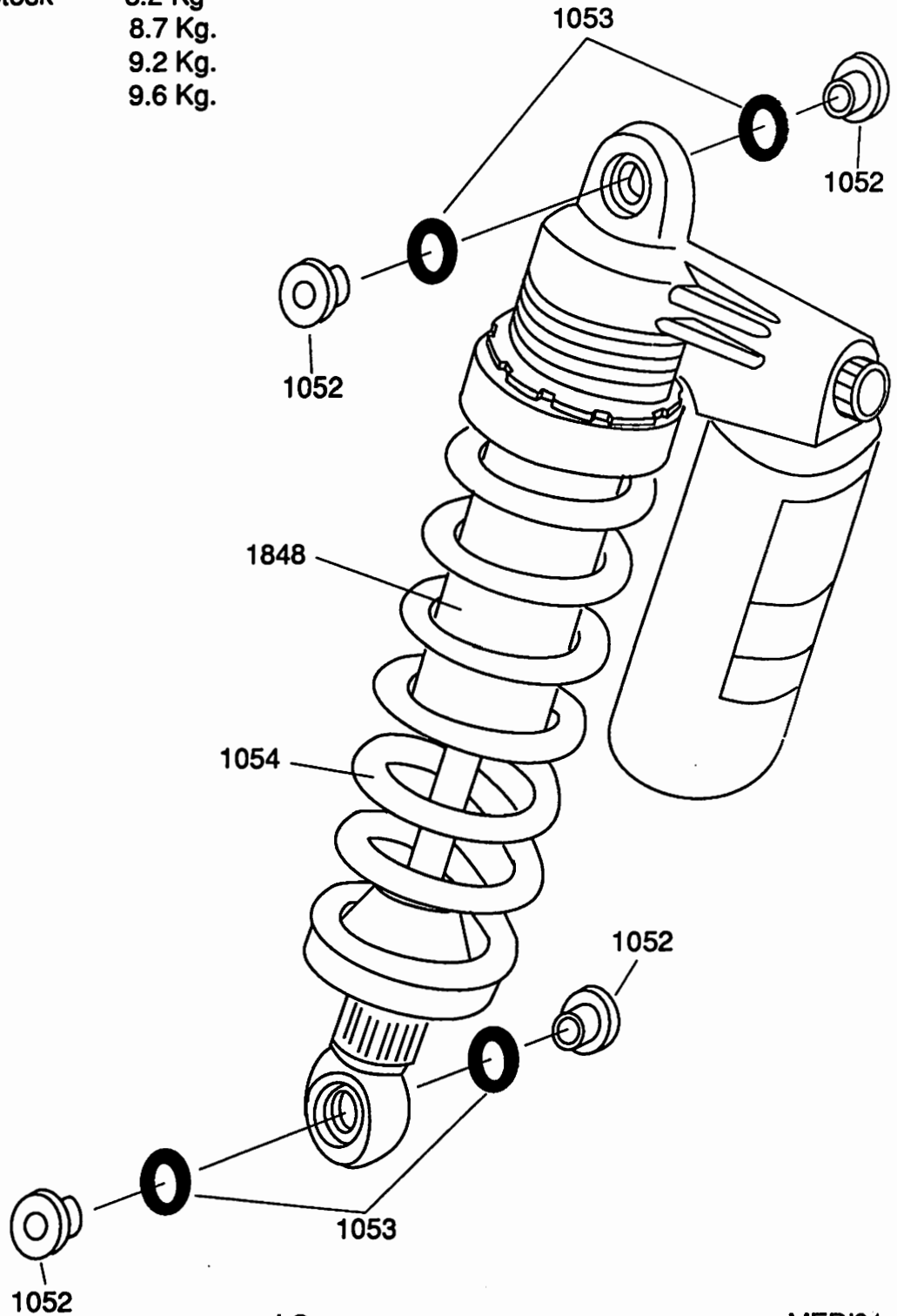
# FORK ASSEMBLY





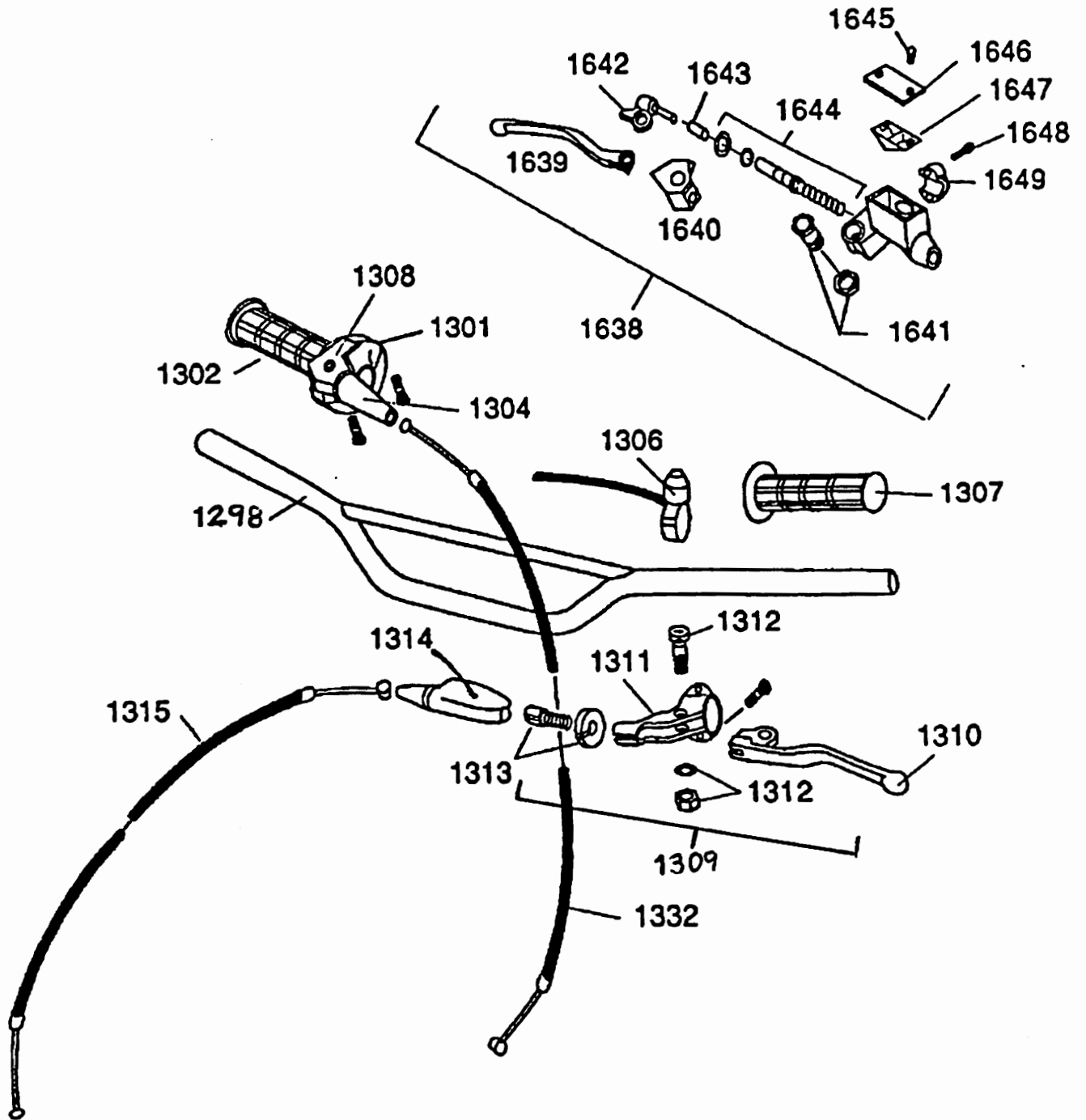
# REAR SHOCK

<u>Part #</u>			
1848	Shock		
1052	Spacer		
1053	O-Ring		
1054	Spring	7.8 Kg.	
1055	Stock	8.2 Kg	-
1056		8.7 Kg.	
1057		9.2 Kg.	
1058		9.6 Kg.	



1298	Handlebar	1
1301	Throttle Assembly	1
1302	R H Twist Grip	1
1304	Cable Cover	1
1306	Kill Button	1
1307	L H Grip	1
1308	Throttle Cover	1
1309	Clutch Lever Assembly	1
1310	Clutch Lever	1
1311	Clutch Perch Bracket	1
1312	Pivot Bolt/Nut	1
1313	Adjuster/Nut	1
1314	Cable Cover	1
1315	Clutch Cable	1
1638	Master Cylinder Assembly	1
1639	Front Brake Lever	1
1640	Cover	1
1641	Pivot Bolt/Nut	1
1642	Linkage	1
1643	Pushrod	1
1644	Plunger Repair Kit	1
1645	Cover Screw	2
1646	Reservoir Cover	1
1647	Reservoir Seal	1
1648	Clamp Screw	2
1649	Clamp	1

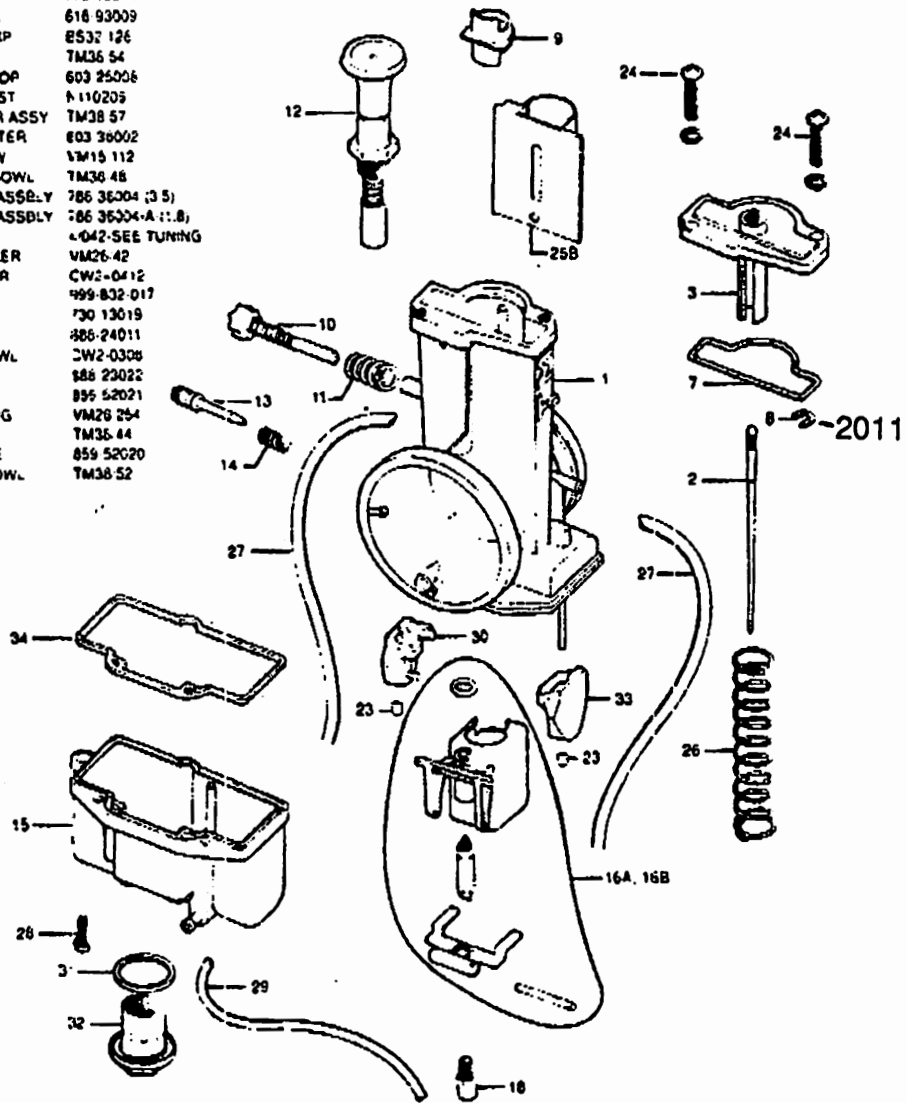
# HANDLEBAR/CONTROLS



# TMS SERIES PARTS LIST

## TMS 38 SERIES

No	Description	Part Number
1	MIXING BODY CARB	TM38SS11
2	JET NEEDLE	J1 SEE TUNING
3	COVER CARB TOP	776 19C14
7	O-RING TOP COVER	616 93009
8	E-RING NEEDLE CLIP	8532 126
9	RING RETAINING	TM36 54
10	ADJUSTER IDLE STOP	603 25006
11	SPRING IDLE ADJUST	N110205
12	P.LUNGER, STARTER ASSY	TM38 57
13	SCREW AIR ADJUSTER	603 36002
14	SPRING AIR SCREW	VM15 112
15	CHAMBER, FLOAT BOWL	TM36 48
16A	VALVE SEAT, NOLE ASSBLY	786 36304 (3.5)
16B	VALVE SEAT, NOLE ASSBLY	786 36304-A (1.8)
18	MAIN JET	4-042-SEE TUNING
23	CAP, FLOAT RETAINER	VM26 42
24	SCREW, TOP COVER	CW2-0412
25B	THROTTLE VALVE	999-832-017
26	SPRING TV	730 13019
27	HOSE VENT	886-24011
28	SCREW, FLOAT BOWL	CW2-0308
29	HOSE OVERFLOW	888 29022
30	FLOAT, LEFT SIDE	895 52021
31	O-RING DRAIN PLUG	VM28 294
32	DRAIN PLUG	TM36 44
33	FLOAT RIGHT SIDE	859 52020
34	GASKET FLOAT BOWL	TM38 52



Slide 406 - 2015  
250 - 2014

Main Jets 230-370

Needles:

54 - 1813  
55 - 1815  
56 - 1814  
57 - 1816  
58 - 2024  
59 - 2025  
60 - 2026



# ACCESSORIES/EXTRAS

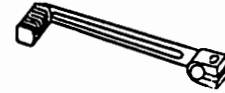


## Countershaft Sprockets

236040-14T  
236041-15T  
236042-16T



Forged  
248917



Black  
248260

## Gear Shift Lever



Sidestand  
1401



Handguards  
1407



## Rear Brake Pads

Carbon-Metalic (Stock)	1891
Semi-Metalic (Galfer)	1329
Metalic (EBC)	1804
Organic (Ferodo)	1330

Aluminum Magura Throttle Assembly	1914
--------------------------------------	------



Front Disc Guard  
1408

## Seats

Stnd MX Seat	1844
Tall MX Seat	1845

## Seat Covers

Regular	1572
Tall	1573
MX	2022

MX gas tank	1875
MX gas tank mount (only 1 needed)	1923

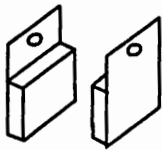
406 Reed Spacer Complete	1660
Reed	1905
Block	1796
Screws	1817

Odometer Kit Complete	1886
Odo Head	1879
Odo Cable	1880
Odo Bracket	1881
Odo Cushion	1882
Odo Worm Gear	1883
Odo Drive	1844
Odo Guide	1885

# BAJA BRAKE UPDATE KIT

## Kit Part #1935

This kit comes with all of the parts below and a caliper that has been modified. The disc is twice as thick (1/4 inch) and the pads have almost twice as much brake pad material as the stock system. Fits '88-'91 ATK's.



Baja Thick Rear Brake Pads

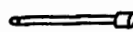
Carbon-Metallic 1894T  
Metallic (EBC) 1804T



Ceramic Spacers  
1805X

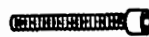


532 M6 X 25 Allen Bolt



1636L Pin-Long

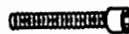
1938  
Caliper Spacers



1940 M8 x 65 Allen Bolt



1937



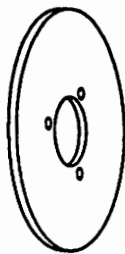
543 M8 x 60 Allen Bolt



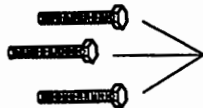
"O"-Ring  
1942



Disc Spacer  
1936



Baja Disc  
1011CB



1941  
M6 x 48 HexBolt



Brake Pad Spacer  
1946